

# Operating and installation instructions

english

## Elmasonic xtra ST accessories

### Elma Table



Copyright © 2022 Elma Schmidbauer GmbH. All rights reserved.

**Elma Schmidbauer GmbH**

Gottlieb-Daimler-Strasse 17

78224 Singen (Germany)

[www.elma-ultrasonic.com](http://www.elma-ultrasonic.com)

**Technical support:**

Tel: + 49 (0)77 31 882 280

Email: [support@elma-ultrasonic.com](mailto:support@elma-ultrasonic.com)

Subject to technical and visual modifications.

## Contents

<b>1 About this manual.....</b>	<b>4</b>	<b>6 Transport and mount.....</b>	<b>9</b>
1.1 The structure of warnings .....	4	<b>7 Install and connect .....</b>	<b>12</b>
1.2 User .....	4	7.1 Connect the drain .....	12
<b>2 Safety .....</b>	<b>5</b>	<b>8 Operate .....</b>	<b>13</b>
2.1 Meaning of symbols on the nameplate .....	5	<b>9 Use accessories.....</b>	<b>14</b>
2.2 Proper use .....	5	<b>10 Servicing.....</b>	<b>15</b>
<b>3 Technical data .....</b>	<b>6</b>	10.1 Clean housing .....	15
<b>4 Product contents .....</b>	<b>7</b>	10.2 Clean outflow.....	15
<b>5 Description .....</b>	<b>8</b>	10.3 Clean the tank .....	15
		10.4 Disinfect.....	16
		<b>11 Disposal.....</b>	<b>16</b>

# 1 About this manual

**IMPORTANT** Please read the manual before using the product. This manual forms part of the contents supplied with the unit. Keep the manual in an accessible place close to the product, and keep it with the product if it is sold on.

## Meaning of the symbols used:

- This symbol denotes lists.
- ✓ This symbol denotes requirements.
- 1. Numbers with a dot denote actions.
- This symbol denotes individual actions.
- ⇨ This symbol denotes interim results.
- ➔ This symbol denotes the result of an action.
- 1 Numbers without a dot denote image labels.

## 1.1 The structure of warnings



### SIGNALWORD

#### Type and source of the danger

Possible consequences of the danger if disregarded.

➤ Measures to prevent the danger.

Signal word	Meaning	Consequences if disregarded
<b>DANGER</b>	Immediate danger	Death or serious injury
<b>WARNING</b>	Possible dangerous situation	Death or serious injury
<b>CAUTION</b>	Possible dangerous situation	Slight injuries, damage to components or units
<b>NOTICE</b>	Useful advice or tip	No risk of personal injury, but possible damage to components or units

Table 1: Meaning of the signal words

## 1.2 User







In the manual, the term User refers to all persons who transport, set up, connect, operate and maintain the unit. The manual is aimed at persons with appropriate technical knowledge and experience in handling similar units.

The user is at least 16 years old. They must have read and understood the manual and be capable of following all notes and instructions.

All tasks that go beyond the pure operation of the unit within the scope described here must be performed by qualified and authorised specialists.

## 2 Safety

### 2.1 Meaning of symbols on the nameplate

	Order number
	Date of production
	Manufacturer
	Serial number
	Read the manual
	Disposal information

### 2.2 Proper use

This product is exclusively intended for connection to the following units:

- Elmasonic xtra ST
- Elmasonic Select 500/900

The Elma Table is used for pre-cleaning/post-cleaning and drying parts. Liquid is collected in the tank. The outflow with ball valve is intended for connection to a wastewater disposal system. The product is suitable for the following applications using optional accessories:

- The Elma Rinse for rinsing with tap water or fully demineralised water (DM water).
- The Elmasteam for steaming with vapour.
- Draining of parts into the basket.
- Blowing off of parts using an on-site compressed air gun.

Using the unit in any other way is considered improper use.

### 3 Technical data

Elma Table	Unit	M	L	L/Low
<b>Mechanical data</b>				
Max. external dimensions W/D/H	mm	530/505/1,410	900/810/1,395	855/775/590
Workplace W/D Drain/rinse zone	mm	470/470	840/740	
Working height H	mm	930		125*
Connection for hose internal Ø	mm		14	
Outflow connection height	mm	830		25
Weight	kg	21	40	24
Max. loading weight for drain/rinse zone	kg	60	75	
Max. loading weight for designated accessory area	kg	85		–
Total volume Collection tank	l	8.5	19.5	
Material		Stainless steel		
<b>Ambient conditions</b>				
Temperature (transport)	°C		–15 to +60	
Temperature (operation, storage)	°C		+5 to +40	
Air pressure (transport, storage)	hPa		500 to 1,010	

## 4 Product contents

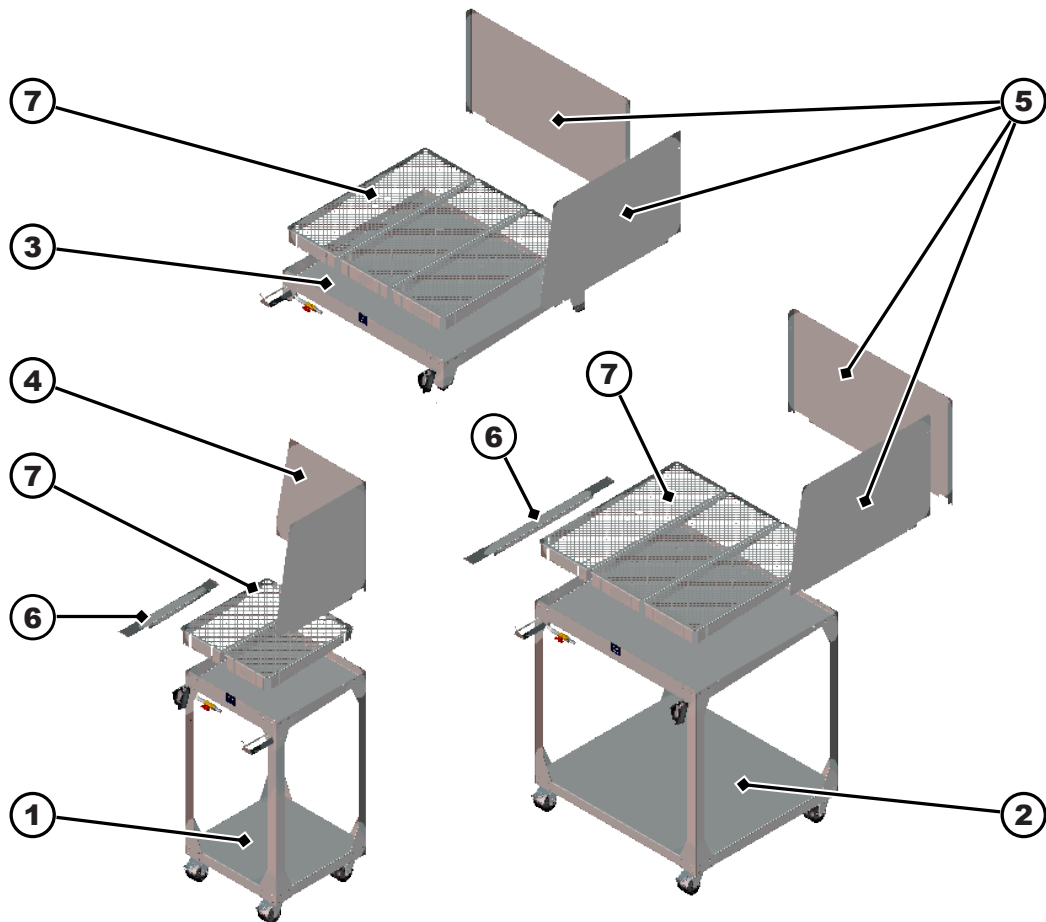


Illustration 1: Elma Table product contents

1	<b>Elma Table M</b> (for Elmasonic xtra ST 300/500/800)
2	<b>Elma Table L</b> (for Elmasonic xtra ST 1400/1600/2500)
3	<b>Elma Table L/Low</b> (for Elmasonic Select/Med 500–900)
4	<b>Splash-guard</b> size M, can be mounted on right or left (single-piece sheet, 4 knurled nuts)
5	<b>Splash-guard</b> sizes L + L/Low, can be mounted on right or left (two-piece sheet, 2 screws, 5 knurled nuts)
6	<b>U-sheet</b> sizes M + L, for connecting ultrasonic unit to Elma Table
7	<b>Drip tray</b> (size M 2x; sizes L + L/Low 3x)
8	<b>Operating and installation instructions</b> (not pictured)

## 5 Description

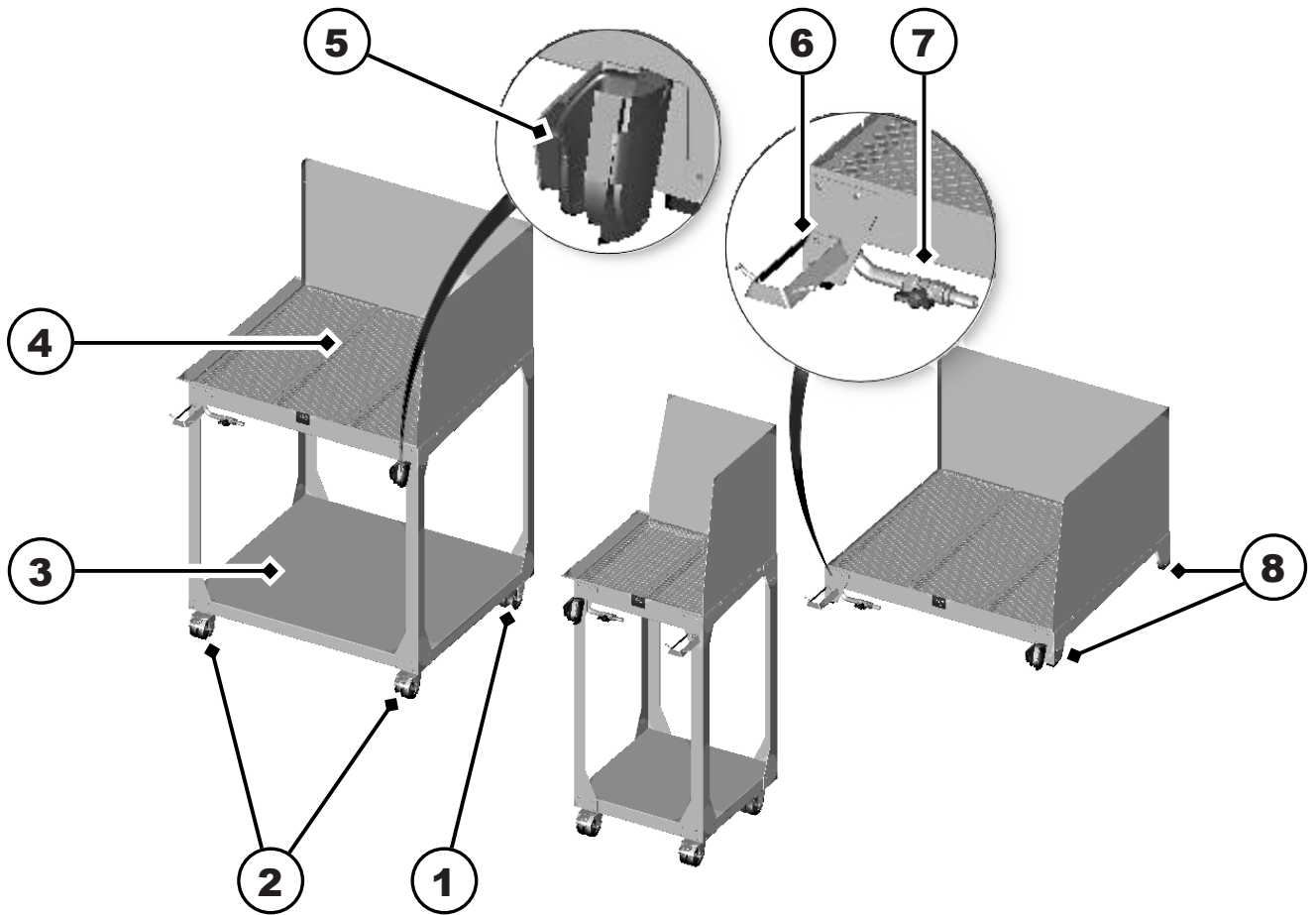


Illustration 2: Elma Table description

- 1 **Rollers** (2x, without locking brake)
- 2 **Rollers** with locking brake
- 3 **Designated area** for optional accessories (size L for Elmasteam and Elma Rinse; size M for Elmasteam or Elma Rinse)
- 4 **Drip/rinse zone** with tank and drip tray for liquids
- 5 **Mounting** for Elmasteam hand-piece (optional accessory, installation right or left)
- 6 **Mounting** for Elma Rinse hand-piece (optional accessory, installation right or left)
- 7 **Outflow** with ball valve
- 8 **Rubber feet** (anti-slip)
- 9 **Nameplate** (not pictured)

## 6 Transport and mount



### CAUTION

#### Heavy loads.

Serious injuries to the spine or back muscles.

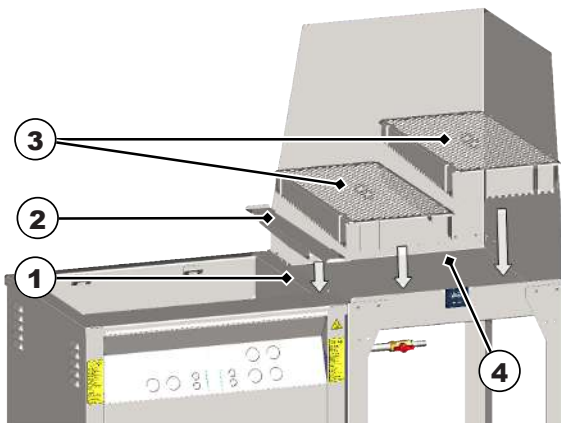
- Comply with the health and safety requirements on lifting heavy loads.



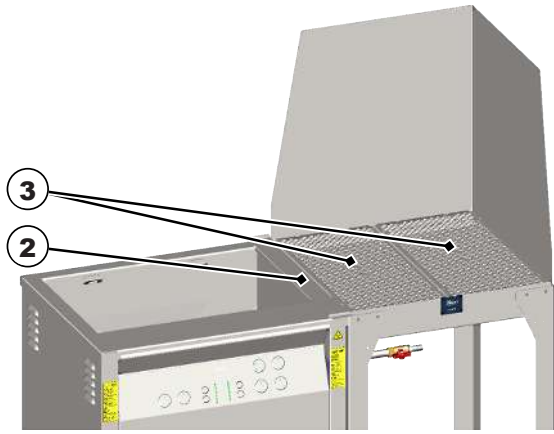
### NOTICE

We recommend documenting transport damage with photos.

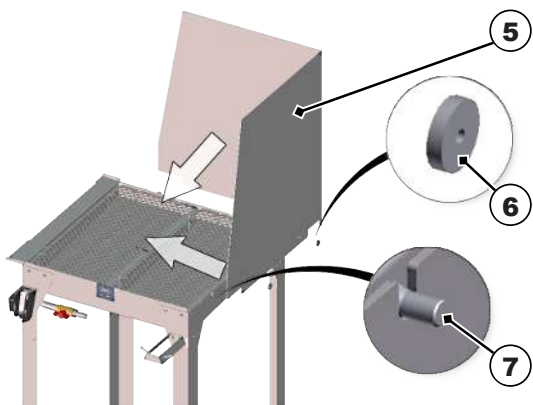
- ✓ The unit has been unloaded by the transport company.
- ✓ Transport the unit to the installation site with a forklift or lifting truck.
- ✓ An Elmasonic xtra ST ultrasonic unit or Select/Med ultrasound table unit is available.
- ✓ Two persons are recommended for mounting the unit.
  1. Unpack the unit.
    - ⇒ Dispose of packaging material in an environmentally friendly manner.
  2. Check that all the contents are present. Product contents [▶ 7]
  3. Check all the parts of the product for transport damage and defects.
    - ⇒ **NOTICE! Immediately file damage compensation claims related to damage during transport with the transport company and the manufacturer. If transport is the responsibility of the manufacturer, the damage during transport must be immediately described on both the recipient's consignment note and the transport company's consignment note.**
  4. In the event of any identified damage or defects, do not operate the unit.
  5. Lift the unit from the pallet and place on the rollers (sizes M, L) or rubber feet (size L/Low) at the designated installation site. **NOTICE! Ensure the discharge tap is clearly visible and accessible.**
  6. Install the Elma Table on the right or left next to the ultrasonic unit.



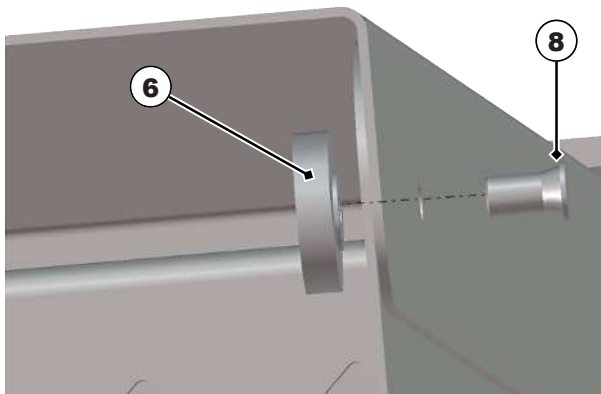
7. Attach the U-sheet (2) onto both tank edges (1) to connect the ultrasonic unit to the Elma Table (for sizes M, L).



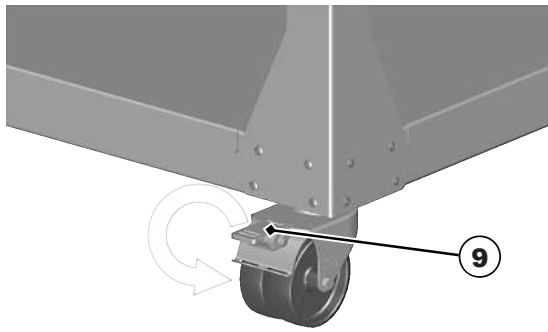
8. Install the drip tray (3) in the tank (4). Two drip trays (3) size M and three drip trays (3) sizes L and L/Low.



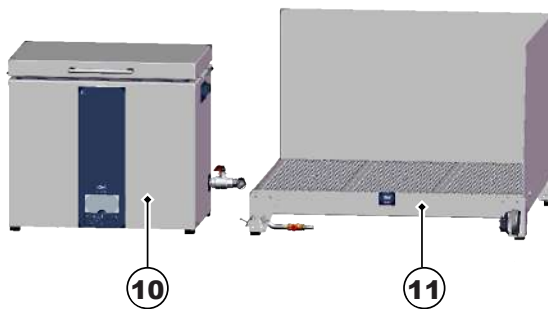
9. Attach the single-piece splash-guard size M (5) onto the pivots (7) and fasten with the knurled nuts (6) (4x pivots; 4x knurled nuts). The splash-guard can be installed on the right or left depending on the installation site.



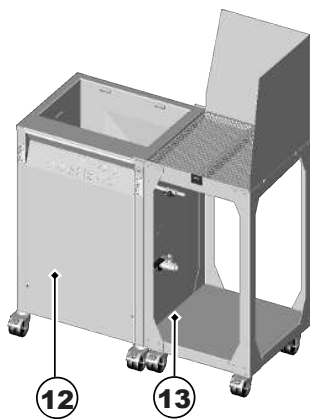
10. Attach the two-piece splash-guard for sizes L and L/Low onto the pivots (7) and fasten with the knurled nuts (6). Then attach the two-piece splash-guard with screws (8) and knurled nuts (2x pivots, 3x screws, 5x knurled nuts).



11. Lock the brakes (9) on the rollers to ensure the unit is securely in place (for sizes M, L).



12. Installation example for Select/Med ultrasound table unit (10) with Elma Table L/Low (11).



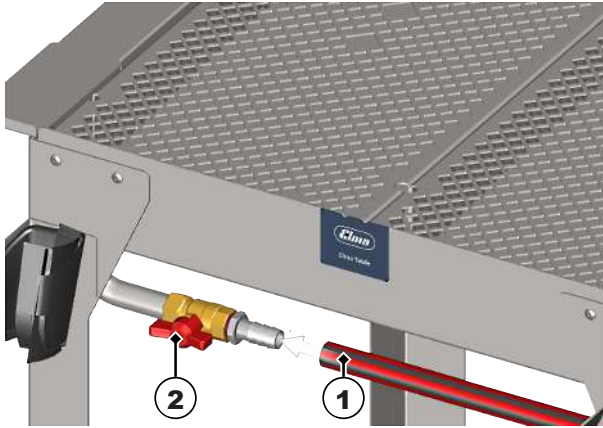
13. Installation example for the xtra St ultrasonic unit (12) with Elma Table M (13), Elma Table L is not pictured.

➔ The Elma Table is installed.

## 7 Install and connect

### 7.1 Connect the drain

- ✓ Collect the required connection materials, e.g. suitable hose and hose clips (not included). Dimensions for the hose inner diameter are provided in the technical data. Technical data [▶ 6]



1. Push the hose (1) onto the outflow hose nozzle (2), and secure it using a hose clip.
  2. Connect the other end of the hose to the wastewater disposal system. If necessary, the hose can be properly routed into a sink or suitable vessel.
    - ⇒ Check the drain for leaks. To do so, fill the tank with cold water up to around 1/3 of the fill level. Then, open the outflow ball valve (2) to test all joints for leaks.
  3. Seal any leaks found.
- ➔ The drain is connected.

## 8 Operate



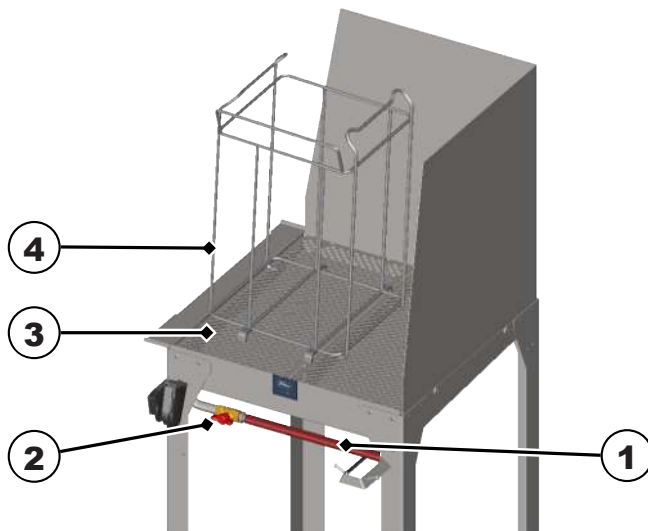
### CAUTION

#### Heavy loads.

Serious injuries to the spine or back muscles.

➤ Comply with the health and safety requirements on lifting heavy loads.

- ✓ The unit has been set up.
  - ✓ The outflow (1) is connected to the on-site wastewater disposal system.
1. Open the ball valve (2) of the outflow.



2. Position the basket filled with parts (4) on the draining zone (3) to:

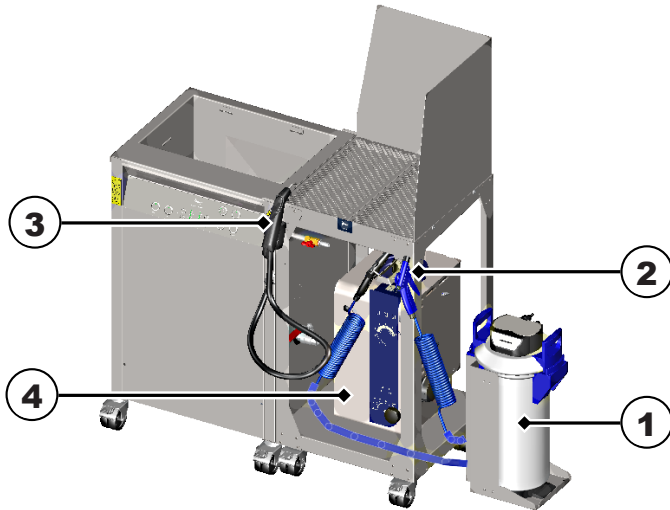
- Rinse off parts with tap/DM water for pre-cleaning
- Rinse parts with tap/DM water for cleaning
- Steam parts with vapour for pre-cleaning
- Steam parts with vapour after cleaning
- Drain parts or blow off with a compressed air gun
  - Use the Elma Table as an accessory for the Elmasteam to use the drain zone as an evaporating dish.

➔ The unit is ready to use.

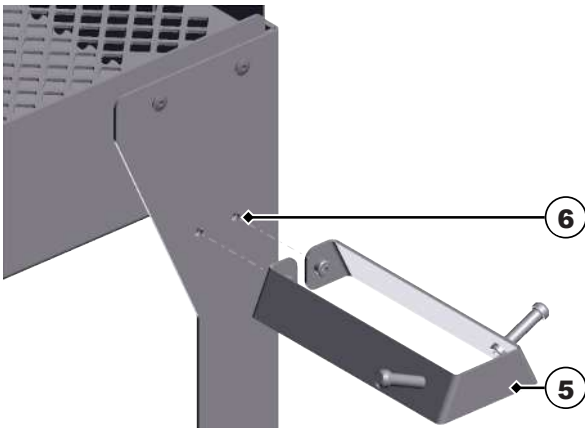
## 9 Use accessories

Tools required: Hex key 3 mm; open-ended spanner 7 mm

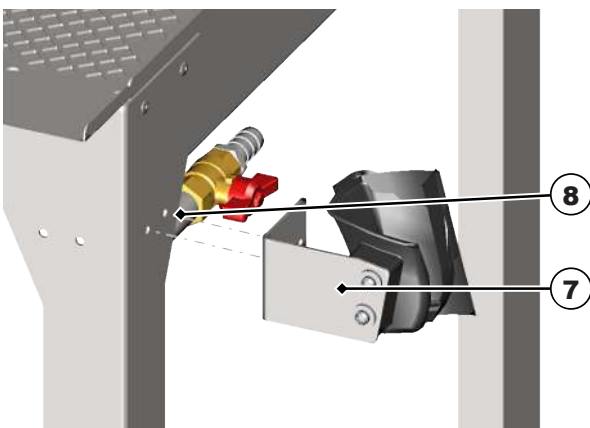
- ✓ The Elma Rinse (1, 2) and/or Elmasteam (3, 4) accessories are to hand.
- ✓ The Elma Table is ready for operation.



1. Position the accessories on the designated stand or near the Elma Table.



2. Install the Elma Rinse hand-piece mounting (5) (can be installed on right or left).



3. Install the Elmasteam hand-piece mounting (7) (can be installed on right or left).

4. Fasten the mountings to the designated drill holes (6, 8) using the provided washers and nuts.

➔ The mountings are installed.

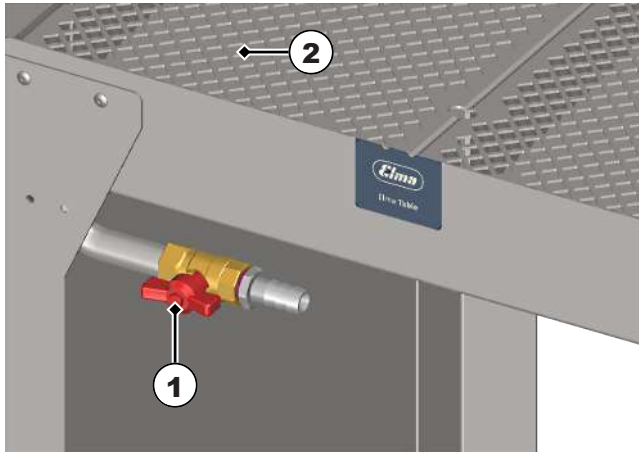
## 10 Servicing

### 10.1 Clean housing

- ✓ The housing is dirty.
  - Wipe all surfaces using a damp cloth.
- ➔ The housing has been cleaned.

### 10.2 Clean outflow

- ✓ The liquid does not drain off into the tank.
  1. Check to see if ball valve (1) is closed.



2. Open the ball valve if necessary.
  - ⇒ The liquid can drain away again.
- ✓ The liquid still does not drain off into the tank.
  1. Remove the drip tray (2) above the outflow from the tank.
  2. Check to see if the outflow is clogged with dirt residue.
  3. Remove residue if necessary.
    - ⇒ The outflow is unclogged.
  4. Insert drip tray into tank.
- ➔ The outflow is clean.

### 10.3 Clean the tank

- ✓ The tank is full of limescale or dirty.
- ✓ The tank is empty.
  1. Use a damp cloth to wipe out limescale and dirt residue. If necessary, rinse the tank using a shower set.
    - ⇒ The tank has been cleaned.
  2. Close the ball valve of the outflow.
  3. To descale the tank, fill it with approx. 2/3 tap water.
  4. Add 4–10% of Elma clean 60 or Elma clean 115C.
  5. Leave the solution to work for approx. 12 hours. We recommend leaving the solution to work overnight.
  6. Open the outflow ball valve to empty the tank.
  7. Use a damp cloth to wipe out the remaining limescale and dirt residue. If necessary, rinse the tank using a shower set.
- ➔ The tank has been descaled and cleaned.

## 10.4 Disinfect

We recommend the following disinfectants for wiping the unit:

- Incidin Liquid by Ecolab (ready-to-use, quick disinfectant).
- Terralin protect by Schülke (observe dosage and exposure time).
- ✓ The unit is used in the medical and health sector.

**NOTICE! Observe local directives and cleaning regulations. This particularly applies to the cleaning of medical devices.**

- Disinfect the tank and the enclosure using a commercially available surface disinfectant on a regular basis. **⚠ CAUTION! Test the disinfectant on a small area first to ensure it does not affect the materials, particularly the controls.**
- The unit has been hygienically disinfected.

## 11 Disposal

### CAUTION

Once the unit has reached the end of its service life, ensure that the unit and accessories are disposed of safely and correctly:



- Clean and disinfect the old device and accessories before disposal.
- Do not dispose of old devices with household waste, but instead at the local collection and disposal points.
- Secure the old device against unauthorised access until removal; if necessary, dispose of the power cable separately.
- Observe regionally applicable disposal directives.
- Data protection notice: The end user is responsible for deleting personal and confidential data from the unit being discarded.